

ECO SMART™

ALKALINE WATER
DISPENSER

User Manual



Contents Page

EcoSmart™ Product Layout

Lid	3
Body	3
Back View	4

Installation of Tap Diverter Valve	5
------------------------------------	---

Setting Up Your EcoSmart™ Alkaline Water Dispenser	6
--	---

LED Indicator Chart	7
---------------------	---

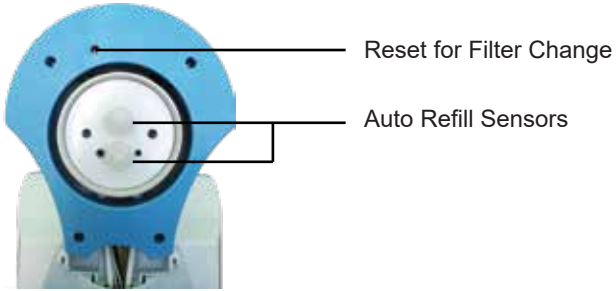
Troubleshooting	8
-----------------	---

Ordering Information

Filter A : Nano-UF Membrane Filter	10
Filter B : Pre-Carbon Polishing Filter	10
Filter C : KYK® Alkaline Catalysts Composite Filter	11
Filter D : Nano-UF Membrane Filter	12
Filter E : Auto-Flush UF Membrane Filter	12
Replacement Filters List	13
10-litre SMART Bottle with Tap	14
10-litre SMART Bottle without Tap	14
Booster Pump	15

EcoSmart™ Product Layout

Lid



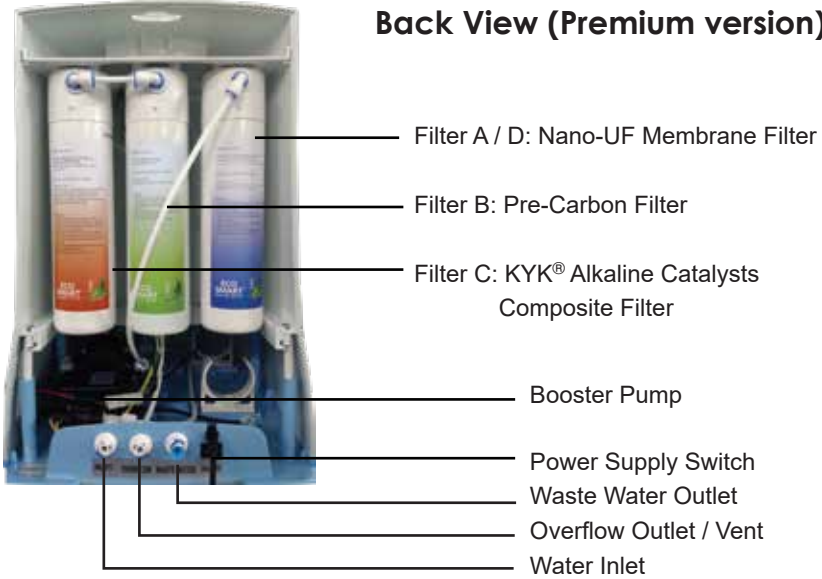
Body



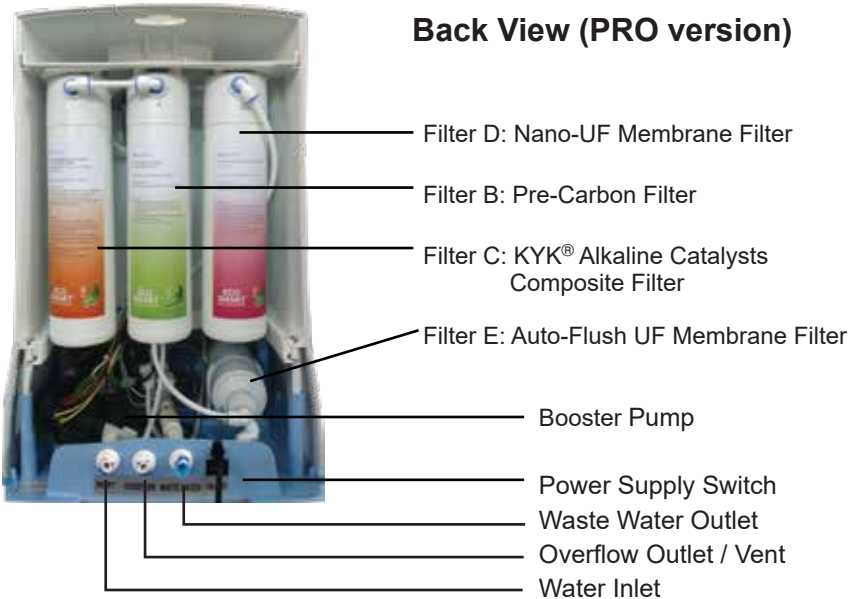
EcoSmart™ Product Layout

4

Back View (Premium version)



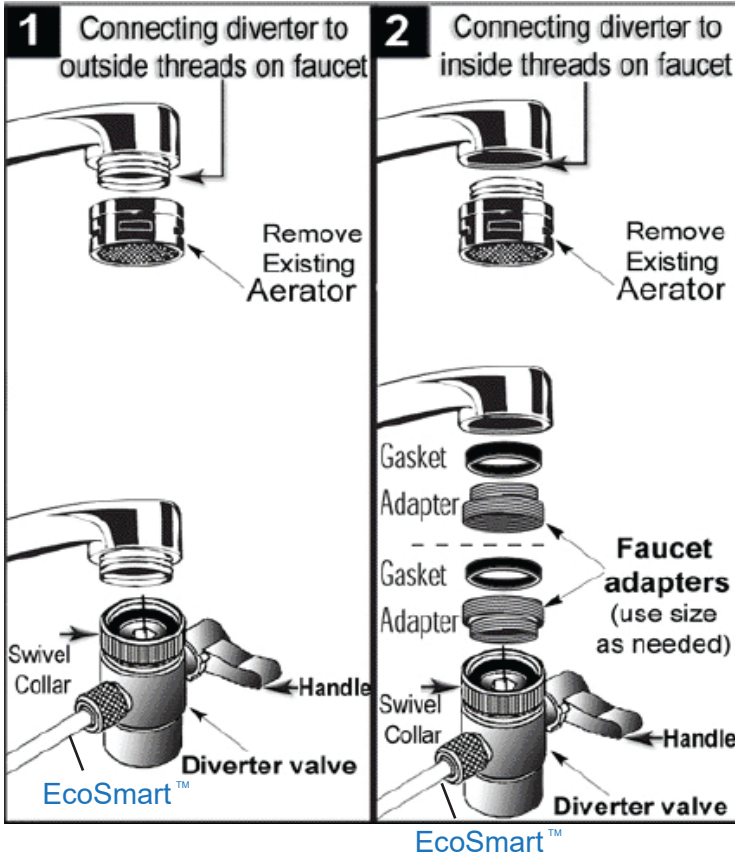
Back View (PRO version)



	EcoSmart™ Premium	EcoSmart™ PRO
Waste Water Outlet	Leave it plugged	Connect to drainage*
Overflow Outlet / Vent	Unplugged. Leave it open	Unplugged. Leave it open

* 200ml of waste water is discharged after water tank is full each time.

Installation of Tap Diverter Valve



Installing Dust Filter



Remark:
Maximum endurable temperature: 45°C
Maximum operating pressure: 70 psi (5kg/cm²)

* Cutting the tubing depends on the location of your EcoSmart™ from the tap.

Setting Up Your EcoSmart™ Alkaline Water Dispenser

1. Plug in all necessary connectors to the set-up.
2. Place the 10-litre SMART Bottle onto the base unit and close the lid fully.
3. Ensure that both power and water supply have been turned on.
Refer to the LED Indicator Chart for these indications.
4. During the first few minutes, do not be alarmed at the blackish colour of the first 3 litres of water. This is a cleaning process that flushes the filters.
5. Once the water becomes clear, empty the SMART bottle by lifting the lid carefully.
6. Place the SMART bottle back onto the base unit and close the lid.
7. The auto-refill process will now begin. (This process takes place when the water level falls below the auto-refill sensors.)
8. The refilling process will stop automatically when it reaches full capacity.
9. You may now use dispenser normally.
10. Enjoy fresh and clean alkaline water anytime, anywhere!

LED Indicator Chart

EcoSmart™ LED Light Operation:



A. Normal Operation:

LED 1: Indicate power supply. Red LED on. No power: Red LED off	
LED 2: Indicate presence of supply water (pressure sensor). Green color	
LED 3: Indicate water production. Yellow color on.	
LED 4: Indicate water tank is full. Green color on.	
LED 2 and 4: Blinking with BUZZ alarm indicate top cover is opened.	

B. Filter Change Reminder (When water tank is full):

LED 2 Green blinking indicate replacement of Filter 1 - preset at 3000 minutes of pump operation (Est 3000 - 4500 liters)	
LED 3 Yellow blinking indicate replacement of Filter 2 - preset at 3000 minutes of pump operation (Est 3000 - 4500 liters)	
LED 2 & 3 Yellow both blinking indicate replacement of Filter 3 - preset at 3000 minutes of pump operation (Est 3000 - 4500 liters)	

C. Intelligent LED for Troubleshooting

Blinking "red LED" with "BUZZ alarm" indicate power has been cut off due to leak. Leak detector is wet. Rectify fault for system to resume normal operation.	
LED 2: Blinking "green LED" with "BUZZ alarm", and LED 4 is GREEN. Water tank is full, but water is still running (back up level sensor is triggered). Rectify fault for system to normal operation.	

D. For EcoSmart™ Pro version

(EcoSmart™ with Auto-Flush & Nano-UF Membrane Filters only)

Indicate the end of water production and begin of 8 seconds auto flush function. All LED ON: 1. Red, 2. Green, 3. Yellow, 4. Green	
--	--

Troubleshooting

1. No water production

- Check main power supply and main water supply. Refer to page 7 - LED indicator chart, and ensure LED 1 & LED 2 are lighted up.

2. Buzzing alarm sound is on

- (a) Close the top lid
- (b) Refer to page 7 - LED indicator chart and check for potential leak.
- (c) Check for faulty water level sensor.

3. Slow water flow

- Where there is pre-filter(s) added to the installation, first check that this filter is not choked with mud or impurities. If it is choked, replace it.

If slow water flow persists, proceed to steps (a) and (b).

(a) Low incoming water pressure

- Generally, this problem occurs when the incoming water pressure is under 4.5 psi (0.3kg/cm²). If the water inlet pressure is excessively low, Ensure both the tap diverter and the main water inlet valve is fully open.

(b) Replace the filter(s):

- First replace the Nano-UF Filter at position 1 and check the water flow. If the problem of slow water flow persists, then proceed to replace filters at position 2 & 3 together.

*For EcoSmart™ Pro version, the Auto-Flush UF & Nano-UF Membrane Filters (Filter D & Filter E) to be replaced together.

4.Excessive flow of waste water

- This is an unusual situation where the SMART bottle is full and yet water continues to run, causing an overflow. This indicates that the inlet solenoid valve is jammed with impurities. When this occurs, the "BUZZ alarm" will be turned on. Simply turn off both water supply and electricity. Next, replace the valve. (Refer to Section (C) on Page 7, LED 2)

5. Insufficient working pressure in Pump (for technicians only)

- Connect the pressure gauge between pump and [Nano-UF membrane] to see if the working pressure is normal. When the pressure is below 65 psi (4.5kg/cm²), check to see if the filter is choked with mud or with a solid particle. If so, replace the filter. If it is not choked, check the transformer to see if the voltage output is declining. If the voltage output is declining, replace the transformer or pump.

Specification

SPECIFICATIONS	DIRECT FEED	STORAGE TANK FEED
Water Bottle	10 Litres, Patented Cap	
Water Production Rate	1.5 LPM	1.0 LPM
Water Production/ Day	720 Litres	480 Litres
Output Water	pH 8.5 - 9.5 varies	pH 8.5 - 9.5 varies
Feed Water	Municipal water	Municipal water
Feed Water Pressure	Well Water (transparent)	Well Water (transparent)
Auto Shut Off	0.3 bar, 5 psi minimum	Suction, 2.5 meter H2O
Water Drain	When there is no water supply	Not applicable
Feed Temperature	Not required. No acidic water produced	
Level Sensor	5° C to 45° C	
	Device stops making water when bottle is full	
Dimension of Device	Counter-top	
Dimension of Package	48cm (Height) x 41cm (Depth) x 32 (Width), 12Kg 55cm (Height) x 50cm (Depth) x 37 (Width), 14Kg	
	45 Watts, CE Compliance	
	220V / 50-60Hz	

Ordering Information

Filter A:

Nano-UF Membrane Filter
Japan Kitz* Hollow Fiber Module

*Kitz is a trademark of KITZ MICRO FIBER CORPORATION

Part No: EC-NUFJP-9-3-1 Filter

Filter Size: 9 inches

*Filter Capacity: up to 6,000 minutes or up to 9,000 liters⁴

Membrane Pore Size: ≤ 0.1 microns

Features:

- Cutting-edge technology removes contaminants ≤ 0.1 microns, as small as 0.01 microns (removal capability of more than 99.9%)
- Secondary removal of rust, particulates, bacteria, cyst, virus, and small molecular weight organics
- High capacity filtration of up to 3,000 minutes
- Easy-change filter design
- Suitable for urban water with turbidity ≤ 5 NTU
- Beneficial materials are not removed

*Note: Filter change is recommended when:

1. Filter capacity has reached the maximum level
2. Water flow is reduced (this is due to clogging)
3. Bad taste and odours occurring
4. Filter change reminder is set at 3,000 minutes. For most cases where incoming source water is good (less sedimentation) the Nano UF filter(s) can be used for one more cycle i.e up to 6,000 minutes (9000 liters)

Filter B:

Pre-Carbon Filter
Taiwan Premium GAC

Part No: EC-GACTW-9-3-1 Filter

Filter Size: 9 inches

Filter Capacity: 3,000 minutes or up to 4,500 liters

Features:

- Premium pre-carbon filter removes harmful contaminants – chlorine, chloramines, THMs, residual pesticides and organics, bad taste and odours
- High-capacity filtration of up to 3,000 minutes
- Easy-change filter design
- Beneficial materials are not removed

*Note: Filter change is recommended when:

1. Filter capacity has reached the maximum level
2. Water flow is reduced (this is due to clogging)
3. Bad taste and odours occurring

H2OLifeSource

Nano-UF Membrane Filter
Japan Kitz* Hollow Fiber Module

*Kitz is a trademark of KITZ MICRO FIBER CORPORATION

Part No: EC-NUFJP-9-3-1 Filter

Filter Size: 9 inch

Filter Capacity: up to 6,000 minutes or up to 9000 litres

Membrane Pore Size: ≤ 0.1 micron

Features:

- cutting-edge technology removes contaminants as small as 0.01 micron (removal capability of more than 99.9%)
- secondary removal of rust, particulates, bacteria, cyst, viruses and small molecular weight organics
- high capacity filtration of up to 3,000 minutes
- easy-change filter design
- suitable for urban water with turbidity ≤ 5 NTU
- beneficial minerals are not removed

ECO
SMART™
ALKALINE WATER



H2OLifeSource

Pre-Carbon Filter
Taiwan Premium GAC

Part No: EC-GACTW-9-3-1 Filter

Filter Size: 9 inch

Filter Capacity: 3,000 minutes or up to 4,500 litres

Features:

- premium pre-carbon filter removes harmful contaminants – chlorine, chloramines, THMs, residual pesticides and organics, bad taste and odours
- high capacity filtration of up to 3,000 minutes
- easy-change filter design
- beneficial minerals are not removed

ECO
SMART™
ALKALINE WATER



Ordering Information

Filter C:

KYK® Alkaline Catalysts Composite Filter
Korea Patented Catalysts and Japan Post Carbon

Part No: EC-KYKAC-9-3-1 Filter

Filter Size: 9 inches

Filter Capacity: 3,000 minutes or up to 4,500 liters

Filter Composite: KYK® alkaline catalysts, non-woven pre-filter, Japan activated premium post carbon, Minano™ media filter, anti-bacterial silver media filter

Features:

- Alkaline catalysts is patented with KFDA certification for safety and efficacy; produces health enhancing alkaline antioxidant water with smaller water clusters
- Post carbon is made from Japan's premium activated carbon with silver media to enhance taste and, more importantly, inhibits bacteria activities
- High capacity filtration of up to 3,000 minutes
- Easy-change filter design
- Beneficial materials are not removed

*Note: Filter change is recommended when:

1. Filter capacity has reached the maximum level
2. Water flow is reduced (this is due to clogging)
3. Bad taste and odours occurring

H2OLifeSource

KYK® Alkaline Catalysts
Composite Filter
Korea Patented Catalysts and Japan
Post Carbon

Part No: EC-NUFJP-9-3-1 Filter

Filter Size: 9 inch
Filter Capacity: 3,000 minutes or up to 4,500 litres
Filter Composite: KYK® alkaline catalysts,
non-woven pre-filter, Japan activated
premium post carbon, Minano™ media filter,
antibacterial silver media filter.

Features:

- alkaline catalysts is patented with KFDA certification for safety and efficacy; produces health enhancing alkaline antioxidant water with smaller water clusters
- post carbon is made from Japan's premium activated carbon with silver media to enhance taste and, more importantly, inhibits bacteria activities
- high capacity filtration of up to 3,000 minutes
- easy-change filter design
- beneficial minerals are not removed

**ECO
SMART™**
ALKALINE WATER



Ordering Information

Filter D

Nano-UF Membrane Filter

Made in Taiwan

Part No: EC-NUFTW-9-3-1 Filter

Filter Size: 9 inches

Filter Capacity: up to 6,000 minutes or up to 9,000 liters*

Membrane Pore Size: ≤ 0.1 microns

Features:

- Cutting-edge technology removes contaminants ≤ 0.1 microns, as small as 0.01 microns (removal capability of more than 99.9%)
- Secondary removal of rust, particulates, bacteria, cyst, virus, and small molecular weight organics
- High capacity filtration of up to 6,000 minutes
- Easy-change filter design
- Suitable for urban water with turbidity ≤ 5 NTU
- Beneficial materials are not removed

*Note: Filter change is recommended when:

1. Filter capacity has reached the maximum level
2. Water flow is reduced (this is due to clogging)
3. Bad taste and odours occurring
4. Filter change reminder is set at 3,000 minutes. For most cases where incoming source water is good (less sedimentation) the Nano UF filter(s) can be used for one more cycle, ie up to 6,000 minutes (9000 liters)

Filter E

Auto-Flush UF Membrane Filter

Optimized for poorer water supply

Made in Korea

Part No: QC-AUFKR-8-3-1 Filter

Filter Size: 8 inches

Filter Capacity: 6,000 minutes or up to 9,000 liters*

Membrane Pore Size: ≤ 0.1 microns

Features:

- Cutting-edge technology removes contaminants ≤ 0.1 microns, as small as 0.01 microns (removal capability of more than 99.9%)
- Removal of rust, particulates, bacteria, cyst, virus, and small molecular weight organics
- High capacity up to 6,000 litres, depending on incoming quality of water
- Suitable for poorer water supply with turbidity ≤ 20 NTU
- Beneficial minerals are not removed

*Note: Filter change is recommended when:

1. Filter capacity has reached the maximum level
2. Water flow is reduced (this is due to clogging)
3. Bad taste and odours occurring
4. For most cases where incoming source water is good (less sedimentation) the Nano UF filter(s) can be used for one more cycle, ie up to 6,000 minutes (9000 liters)

H2OLifesource

Nano-UF Membrane Filter

Made in Taiwan

Part No: EC-NUFTW-9-3-1 Filter

Filter Size: 9 inch

Filter Capacity: 6,000 minutes or up to 9,000 litres

Membrane Pore Size: ≤ 0.1 micron

Features:

- cutting-edge technology removes contaminants ≤ 0.1 micron, as small as 0.01 micron (removal capability of more than 99.9%)
- secondary removal of rust, particulates, bacteria, cyst, virus and small molecular weight organics
- high capacity filtration of up to 6,000 minutes
- easy-change filter design
- suitable for urban water with turbidity ≤ 5 NTU
- beneficial minerals are not removed

ECO
SMART™
ALKALINE WATER



H2OLifesource

Auto-Flush UF Membrane Filter

Optimized for poorer water supply

Made in Korea

Part No: QC-AUFKR-8-3-1 Filter

Filter Size: 8 inch

Filter Capacity: 6,000 minutes or up to 9,000 litres

Membrane Pore Size: ≤ 0.1 micron

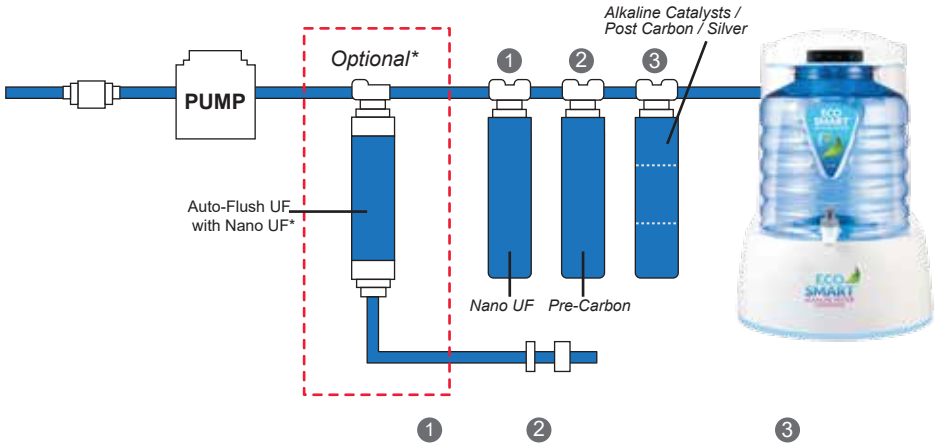
Features:

- cutting-edge technology removes contaminants ≤ 0.1 micron, as small as 0.01 micron (removal \leq capability of more than 99.9%)
- Removal of rust, particulates, bacteria, cyst, virus and small molecular weight organics
- high capacity up to 6,000 litres depending on incoming quality of water
- suitable for poorer water supply with turbidity ≤ 20 NTU
- beneficial minerals are not removed

ECO
SMART™
ALKALINE WATER



Ordering Information



	Auto-Flush UF with Nano UF*	Nano UF	Pre-Carbon	Alkaline Catalysts / Post Carbon / Silver
Premium	Not Available	Japan ^A ----- Taiwan ^D	Taiwan ^B	Korea / Japan ^C
PRO	Korea ^E	Taiwan ^D	Taiwan ^B	Korea / Japan ^C

Optional* - Underground water, heavy sedimentation. Turbidity ≤20 NTU

EcoSmart™ Premium Version

Replacement Filters List

- A** Nano-UF Membrane Filter ● *Singapore only* EC-NUFJP-9-3-1 Filter
- D** Nano-UF Membrane Filter EC-GACTW-9-3-1 Filter
- B** Pre-Carbon Filter EC-KPREC-9-3-1 Filter
- C** KYK® Alkaline Catalysts Composite Filter EC-KYKAC-9-3-1 Filter

EcoSmart™ PRO Version

Replacement Filters List

- E** Auto-Flush UF Membrane Filter QC-AFUFK-8-3-1 Filter
- D** Nano-UF Membrane Filter EC-NUFTW-9-3-1 Filter
- B** Pre-Carbon Filter EC-KPREC-9-3-1 Filter
- C** KYK® Alkaline Catalysts Composite Filter EC-KYKAC-9-3-1 -Filter

Ordering Information

10-litre SMART Bottle with Tap

Part No: EC-SB-10PET-C-TAP



10-litre SMART Bottle without Tap

Part No: EC-SB-10PET-C



Ordering Information

Booster Pump

Part No: EC-DPTW-PUMP





EcoSmart™ and 天愿水™ are registered trademarks of H2O Life Source (SEA) Pte Ltd.

Copyright © 2008 H2O LIFE SOURCE

FDA, NSF, SGS, WIPO are the registered trade-marks of the respective organization.



WORLD
INTELLECTUAL
PROPERTY
ORGANIZATION



H2O LIFE SOURCE (SEA) PTE LTD

Philippines Representative Office

Unit 1609 Cityland 10 Tower 1, 156 H.V. Dela Costa Street
Salcedo Village, Makati City 1226

Singapore Headquarter

No 38 Jalan Pemimpin #06-02 @M38 Singapore 577178
Website : www.h2olifsource.com

